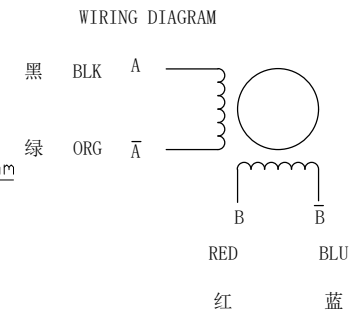
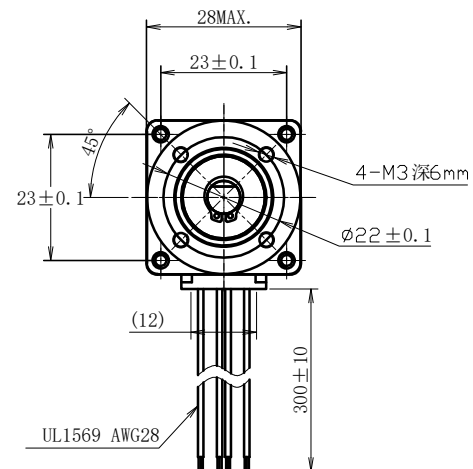
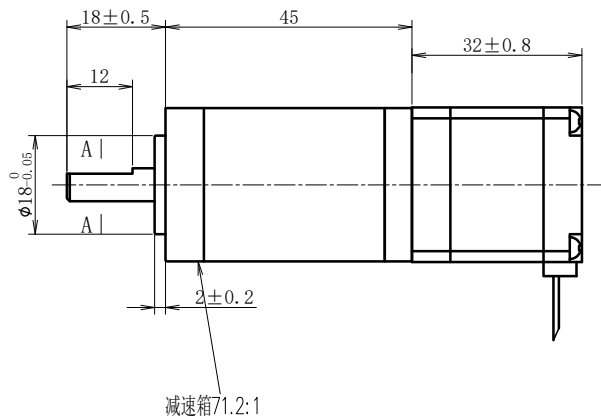
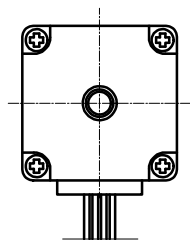


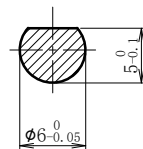
符合RoHS指令要求
CONFORM TO RoHS INSTRUCTIONS



电器特性参数/ELECTRICAL PARAMETER

| | |
|--|---|
| 步进角 STEP ANGLE | 1.8° ±5% |
| 相数 NO. OF PHASES | 2 |
| 额定电压 RATED VOLTAGE | 3.752 V |
| 额定电流 RATED CURRENT | 0.67 A |
| 电阻 RESISTANCE | 5.6 ohm±10% AT 25° C |
| 电感 INDUCTANCE | 4.2 mH±20% |
| 保持力矩 HOLDING TORQUE | 60mN.m |
| 运行力矩 (---PPS) RUNING TORQUR(AT --PPS) | --- MAX. (24VDC, RATED CURRENT, FULL STEP) |
| 绝缘耐压 DIELECTRIC STRENGTH | 500V AC 1 MINUTIE |
| 绝缘电阻 INSULATION RESISTANCE | 100 MΩ MIN. |
| 绝缘等级 INSULATION CLASS | B |
| 温度上升 TEMPERATURE RISE | 80K MAX. (SEE NOTE 2) |
| 转子惯量 ROTOR INERTIA | 480g.cm ² (2.63 oz-in ²) |
| 重量 WEIGHT | APPROX. 1100g (38.8 OZ) |
| 允许轴向负载 ALLOWABLE THRUST LOAD | 15N |
| 允许径向负载 ALLOWABLE RADIAL LOAD | 75N(ON THE SHAFT END) |
| 环境温度 AMBIENT TEMPERATURE | 0° C TO +50° C |
| 环境湿度 AMBIENT HUMITITY | 15% TO 95% |
| 寿命 LIFE | 3000 HOURS (SEE NOTE) |

A-A(2:1)



受控文件

| | | | | | | | |
|--|----------|--------------|-------------|-----------------|-------------------|------------|----------------------------------|
| CONFIRMED&ACCEPTED BY COTUMER (客户确认&接受) | | | | 物料编码 | | | |
| CUSTOMER'S COMPANY CHOP&SGNATURE 盖章&签名 | | | | | | | |
| 一般公差 TOLERANCE | ±0.3/±3° | 版本 REV. | 年月日 DATE | 变更番号 ECO NO. | 变更内容 REVISIONS | 设计 BY | 备注 NOTE |
| 制图/DRAWN | | 比例 SCALE | 1:1 | 品名 TITLE | 28H232-0674AG71.2 | | 三视图 THIRD ANGLE PROJECTION |
| 设计/DESIGNED | | 单位 UNIT | mm | | | | |
| 审核/CHECKED | | 上海四横电机制造有限公司 | | | | 页 SHEET | 1/1 |
| 承认/APPROVED | | | | | | | |