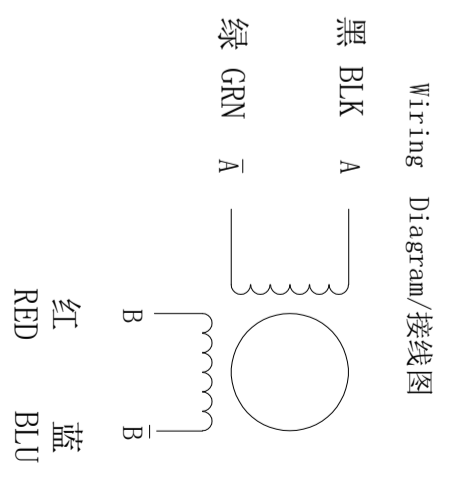
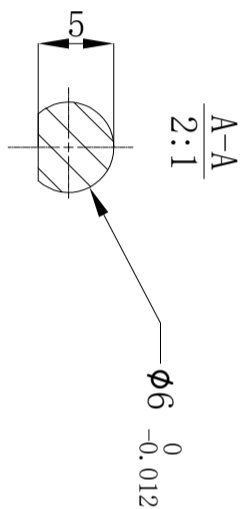
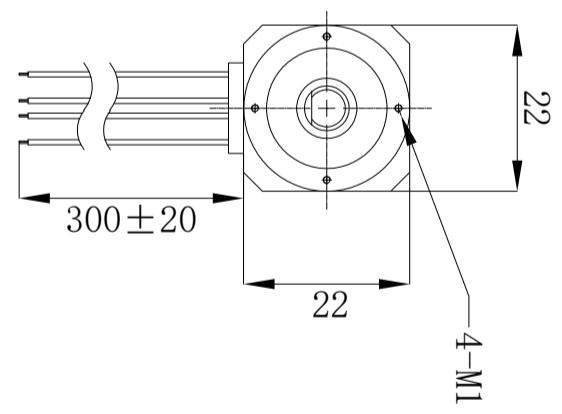
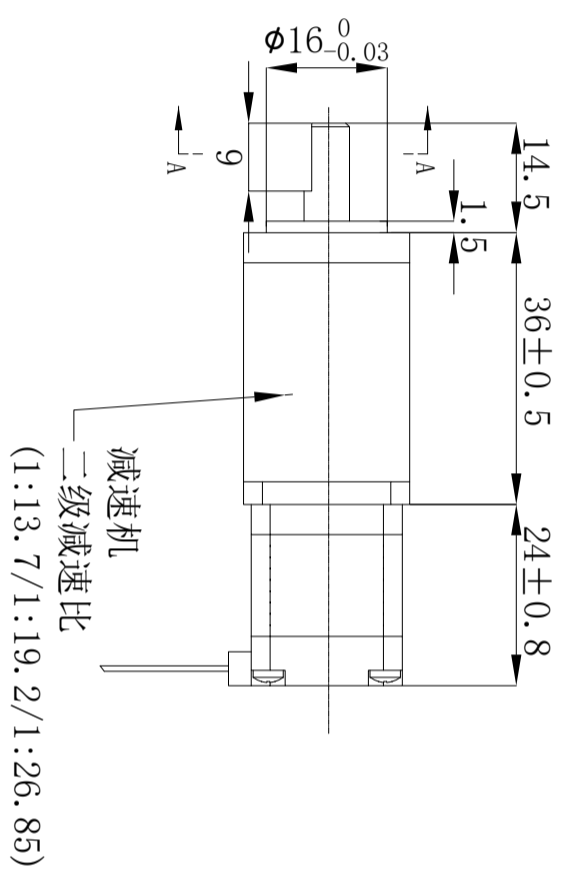
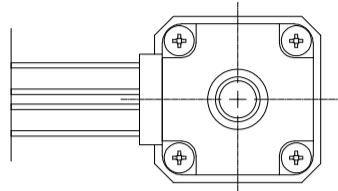


符合RoHS指令要求  
CONFORM TO RoHS INSTRUCTIONS



励磁顺序(2相励磁)  
EXCITING SEQUENCE (TWO PHASES)

| STEP | A | B | Ā | B̄ |
|------|---|---|----|----|
| 1    | + | + | -  | -  |
| 2    | - | - | +  | +  |
| 3    | - | + | -  | +  |
| 4    | + | - | +  | -  |

电器特性参数/ELECTRICAL PARAMETER

|                                             |                                               |                  |
|---------------------------------------------|-----------------------------------------------|------------------|
| 步 进 角<br>STEP ANGLE                         | 1.8° ±5%                                      |                  |
| 相 数<br>PHASES                               | 2                                             |                  |
| 额定电压<br>RATED VOLTAGE                       | 4.4 V                                         |                  |
| 额定电流<br>RATED CURRENT                       | 0.2 A                                         |                  |
| 电 阻<br>RESISTANCE                           | 22 ohm±10%                                    | AT 20° C         |
| 电 感<br>INDUCTANCE                           | 6 mH±20%                                      | AT 1k Hz, 1V RMS |
| 保持力矩<br>HOLDING TORQUE                      | 0.1N.m                                        |                  |
| 运行力矩 (---PPS)<br>RUNNING TORQUE (AT ---PPS) | --- MIN.<br>(24VDC, RATED CURRENT, FULL STEP) |                  |
| 绝缘耐压<br>DIELECTRIC STRENGTH                 | 500V AC 1 MINUTIE                             |                  |
| 绝缘电阻<br>INSULATION RESISTANCE               | 100 MΩ MIN                                    |                  |
| 绝缘等级<br>INSULATION CLASS                    | B                                             |                  |
| 温度上升<br>TEMPERATURE RISE                    | 80K MAX. (SEE NOTE 2)                         |                  |
| 转子惯量<br>ROTOR INERTIA                       | ≈1.8g.cm <sup>2</sup>                         |                  |
| 重 量<br>WEIGHT                               | APPROX. 40g                                   |                  |
| 最大轴向跳动<br>MAXIMUM AXIAL RUNOUT TOLERANCE    | 0.075mm (负载90g)                               |                  |
| 最大径向跳动<br>MAXIMUM RADIAL RUNOUT TOLERANCE   | 0.025mm (负载42g)                               |                  |
| 环境温度<br>AMBIENT TEMP                        | 0°C-----+50°C                                 |                  |
| 环境湿度<br>AMBIENT HUM                         | 20%-----90%                                   |                  |

|                                             |  |                            |  |               |  |                   |  |                           |  |
|---------------------------------------------|--|----------------------------|--|---------------|--|-------------------|--|---------------------------|--|
| CONFIRMED/ACCEPTED BY CUSTOMER<br>(客户确认&接受) |  | 版本<br>REV.                 |  | 年 月 日<br>DATE |  | 变更内容<br>REVISIONS |  | 型号/MODEL<br>20H224-0204AG |  |
| COMPANY CHOP/SIGNATURE (盖章&签名)              |  | 一般公差<br>TOLERANCE ±0.3/±3° |  |               |  |                   |  |                           |  |

|              |                 |              |                                         |                |
|--------------|-----------------|--------------|-----------------------------------------|----------------|
| 设计/DESIGNED  | 比例<br>SCALE 1:1 | 品 名<br>TITLE | 步进电机规格书<br>STEPPING MOTOR SPECIFICATION | REV. A         |
| 审 核/CHECKED  | 单位<br>UNIT mm   |              |                                         |                |
| 上海四横电机制造有限公司 |                 |              |                                         | 页<br>SHEET 1/1 |

E

D

C

B

A

1

2

3

4

5

6

7