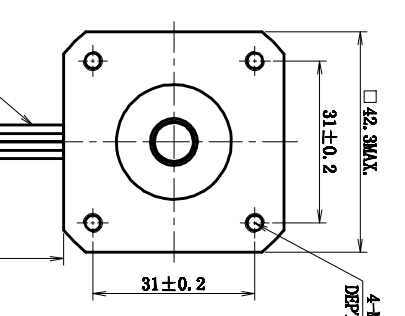
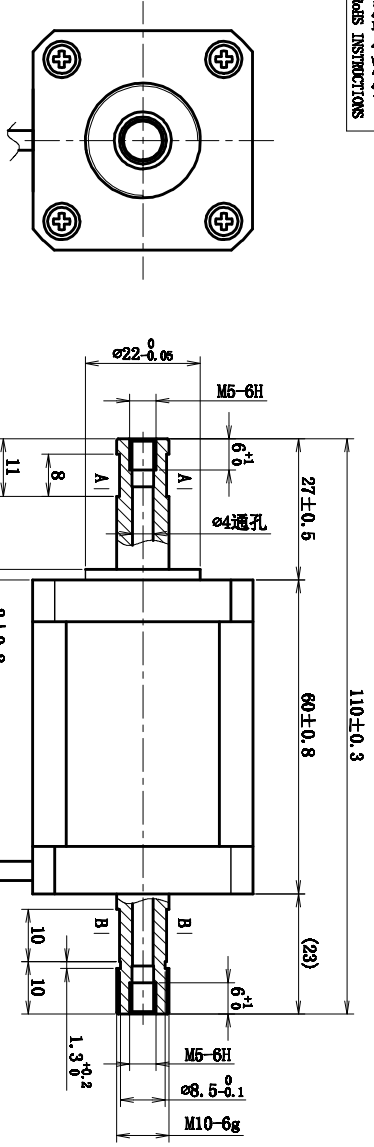
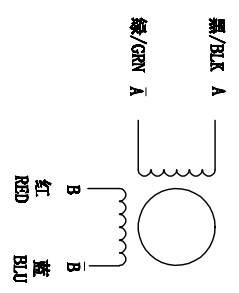


符合ROHS指令要求  
CONFORM TO REHS INSTRUCTIONS



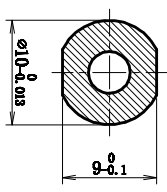
励磁顺序 (2相励磁)  
EXCITING SEQUENCE (TWO PHASE)

STEP	A	B	Ā	B̄
1	+	+	-	-
2	-	+	+	-
3	-	-	+	+
4	+	-	-	+



电器特性参数/ELECTRICAL PARAMETER

步进角 STEP ANGLE	1.8° ±5%
相数 PHASES	2
额定电压 RATED VOLTAGE	5.0 V
额定电流 RATED CURRENT	1.7A
电阻 RESISTANCE	3.0 ohm±10% at 20° C
电感 INDUCTANCE	6.0mH±20% at 1k Hz, 1Vrms
保持力矩 (-PPS) HOLDING TORQUE	0.6N.m
运行力矩 (-PPS) RUNNING TORQUE (AT -PPS)	— MIN. (24V, DC, RATED CURRENT, FULL STEP)
绝缘耐压 DIELECTRIC STRENGTH	500V A.C 1分种/MINUTE
绝缘电阻 INSULATION RESISTANCE	100 MΩ 以上/MIN.
绝缘等级 INSULATION CLASS	Class B
温度上升 TEMPERATURE RISE	80K MAX.
转子惯量 ROTOR INERTIA	80g.cm <sup>2</sup>
重量 WEIGHT	APPRO. 480g
允许轴向负载 ALLOWABLE THRUST LOAD	—N
允许径向负载 ALLOWABLE RADIAL LOAD	75N (At the shaft length 24mm)
环境温度 AMBIENT TEMP.	-10° C—+50° C
环境温度 AMBIENT HUM.	15%—90%



A-A (2:1)  
B-B (2:1)

CONFIRMED/ACCEPTED BY CUSTOMER		型号/MODEL	
CUSTOMER DIMENSIONAL TOLERANCE (客户确认公差)		42H260-1684BZK-04-002	
一般公差 TOLERANCE	±0.3/±0.5	版本 REV.	
设计/DESIGNED	Taylor 2010-05-23	年月日 DATE	
审核/CHECKED	Taylor 2010-05-23	变更号 REV. NO.	
比例 SCALE		变更内容 REVISIONS	
1:1			
单位 UNIT		设计 BY	
mm			
品名 TITLE		备注 NOTE	
STEPPING MOTOR SPECIFICATION			
THIRD ANGLE PROJECTION		REV. A	
1/1			

上海四微电机制造有限公司